

# 0.5 mL Microcentrifuge Tube

MLS-MCTS-05



### Description

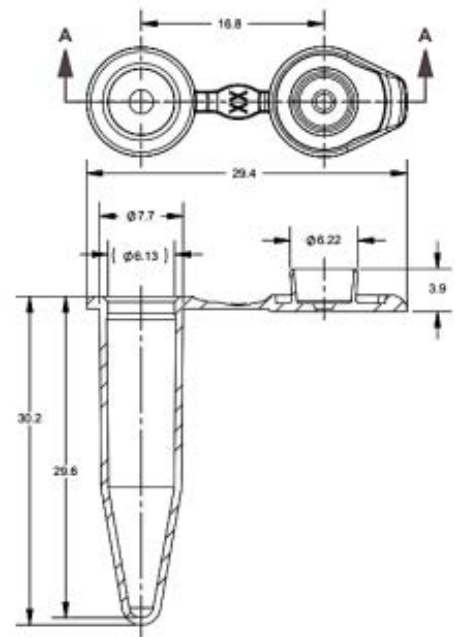
0.5 mL Graduated Microcentrifuge Tube,  
Low Retention, Clear, Sterile

### Materials

Tube: PP (Polypropylene)  
Cap: PP (Polypropylene)

### Features

- ❖ Graduation markings
- ❖ Max fill: 0.65 mL
- ❖ Autoclavable: yes
- ❖ Shelf life: 5 years after month of production
- ❖ Boil-proof caps are ideal for rigorous high temp applications and tight storage conditions
- ❖ Crystal-clear polymer facilitates visualization of samples
- ❖ Rated to 20,000 x G
- ❖ Temperature range: -80°C to +121°C
- ❖ Certified free of detectable RNase, DNase, DNA, PCR inhibitors, and tested pyrogen-free



Item No.	Item	Sterile	Packaging Configuration
MLS-MCTS-05	0.5 mL Graduated Microcentrifuge Tube, Low Retention	Yes	500/pack 10 packs/case