

# 2.0 mL Microcentrifuge Tube

MLS-MCTCS-2SC



### Description

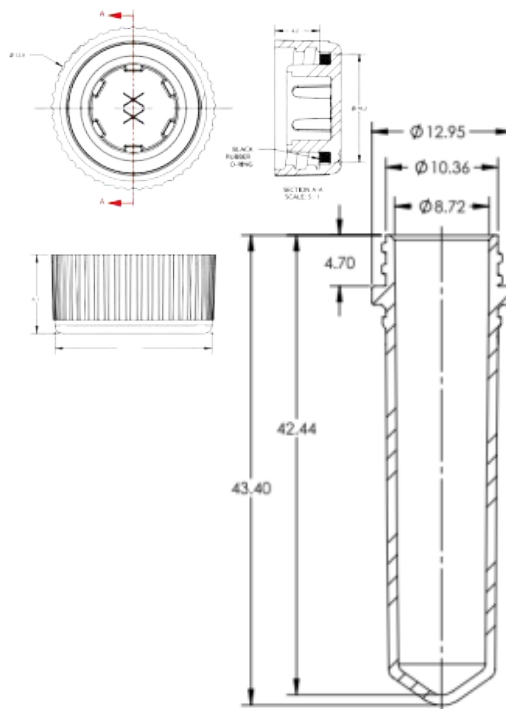
2.0 mL Assembled Screw Cap Tube,  
Conical Base, Graduated, Writing Area, Clear, Sterile

### Materials

Tube: PP (Polypropylene)  
Cap: PP (Polypropylene)

### Features

- ❖ Autoclavable: yes
- ❖ Shelf life: 5 years after month of production
- ❖ Manufactured from high-clarity, ultra-pure polypropylene (meets FDA 21 CFR 177.1520 & USP Class VI)
- ❖ Suitable for a wide range of temperatures— from -196°C to +121°C. Note: not suitable for immersion in liquid nitrogen
- ❖ Ideal for boiling applications
- ❖ Rated to 20,000 x G
- ❖ Certified free of detectable RNase, DNase, DNA, PCR inhibitors, and tested pyrogen-free



Item No.	Item	Sterile	Packaging Configuration
MLS-MCTCS-2SC	2.0 mL Assembled Screw Cap Tube, Conical Base, Graduated, Writing Area	Yes	50/pack 50 packs/case